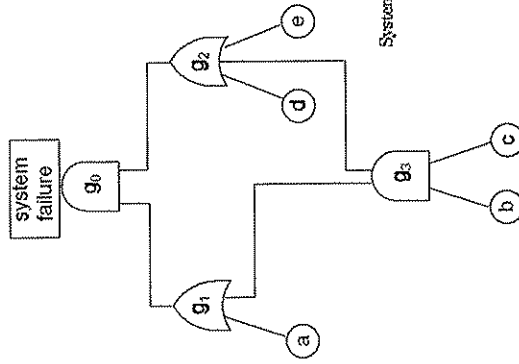
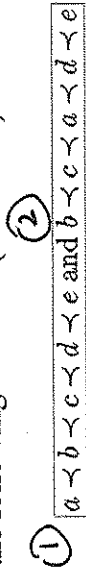


Example

- Generate BDD using two different orderings for the following fault tree (FT-BDD2):



System failure = $g_0 = g_1 \wedge g_2$

$$g_1 = a \vee b$$

$$g_2 = c \vee d \vee e$$

$$g_3 = b \wedge c$$

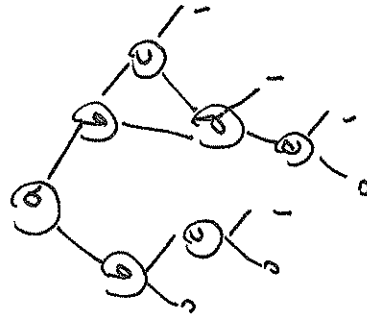
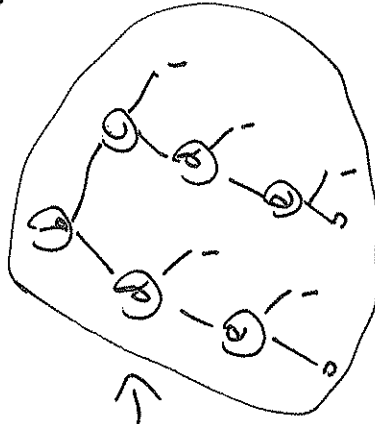
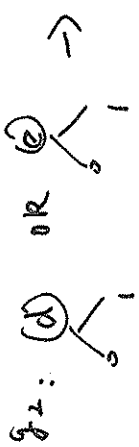
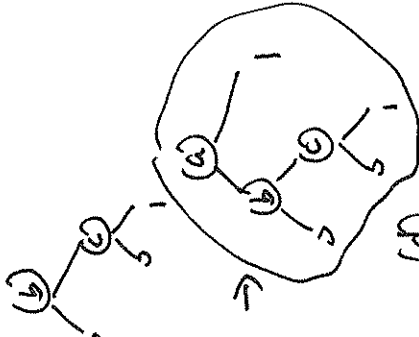
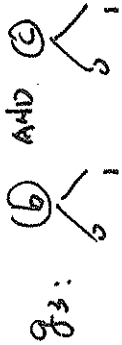
$$f = (a \vee (b \wedge c)) \wedge (d \vee (b \wedge c) \vee e)$$

Dr. Xing

Lecture #13

19

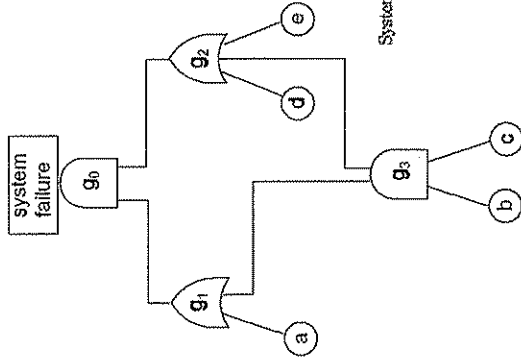
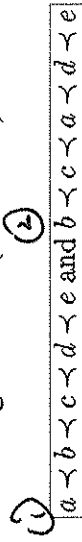
① $a < b < c < d < e$



Isomorphic.

Example

- Generate BDD using two different ordering for the following fault tree (FT-BDD2):



System failure = $g_0 = g_1 \wedge g_2$

$$g_1 = a \vee b$$

$$g_2 = d \vee g_3 \vee c$$

$$g_3 = b \wedge c$$

$$f = (a \vee (b \wedge c)) \wedge (d \vee (b \wedge c) \vee e)$$

Dr. Xing

Lecture #13

19

② $b \prec c \prec a \prec d \prec e$

